



KUNKLE MODEL 299 DRIP PAN ELBOW

SAFETY AND RELIEF PRODUCTS

Provides a means to handle condensate from safety valves used in steam applications



FEATURES

- Model 0299-H: used for safety valve outlet size of 2" (DN 50).
- Model 0299-J: used for safety valve outlet size of 2½" (DN 65).
- Model 0299-K: used for safety valve outlet size of 3" (DN 80).
- Model 0299-M: used for safety valve outlet size of 4" (DN 100).
- Model 0299-P: used for safety valve outlet size of 6" (DN 150).
- Model 0299-Q: used for safety valve outlet size of 8" (DN 200).

GENERAL APPLICATION

Recommended installation on outlet/discharge pipe for safety valves used on steam service.

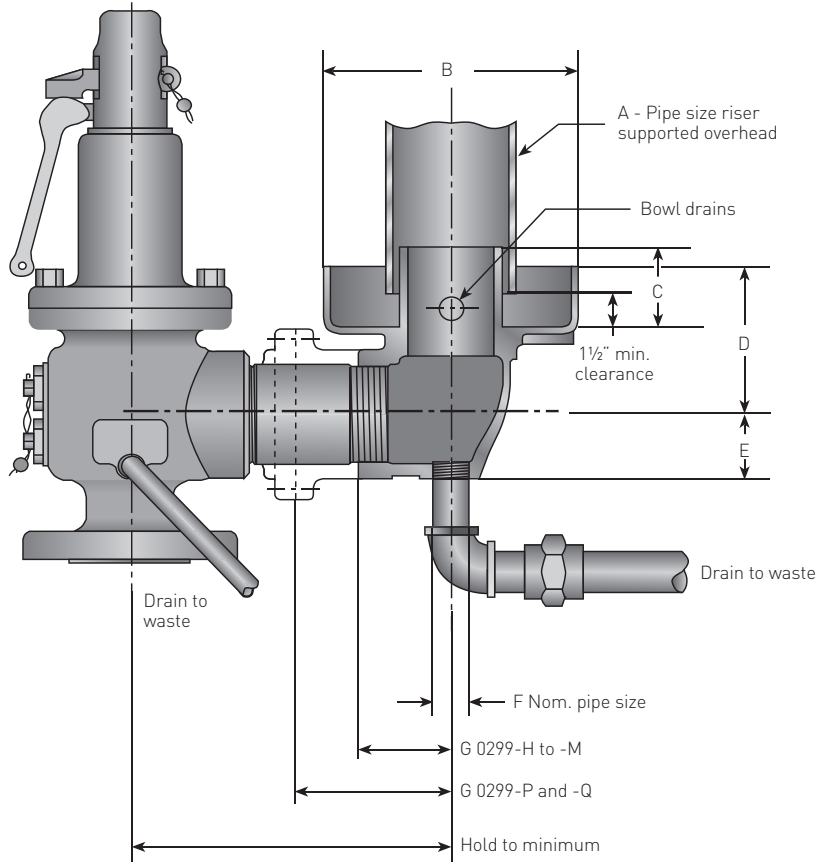
TECHNICAL DATA

Material: Cast iron
Sizes: 2" to 8"
Connections: 2" to 4" NPT
6" and 8" (DN 150 and DN 200) integrally flanged

KUNKLE MODEL 299 DRIP PAN ELBOW

SAFETY AND RELIEF PRODUCTS

Installation guide



Model 299 drip pan elbow

The illustration shows a discharge elbow and drip pan unit attached to a safety valve with female NPT outlet. For safety valves with flanged outlets - 2" to 4" - use companion flange, short nipple and drip pan elbow, all same size as valve outlet. 6" and 8" elbows have integral 125# ANSI B16.1 flange.

NOTE

Important - length of discharge piping must be kept to a minimum. For design considerations see articles: 'Steam flow through safety valve vent pipes' by H.E. Brandmaier and M.E. Knebel (Dec. 1975) and 'Analysis of power plant safety and relief valve vent stacks' by G.S. Liao (Nov. 1974) available through ASME publications.

DIMENSIONS - inches

Model	Size ⁽¹⁾	Dimensions, in							Weight (lb)
		A	B	C	D	E	F	G	
0299-H	2"	3	6 ¹ / ₄	2 ³ / ₈	3 ³ / ₈	1 ⁵ / ₈	1/2 NPT	2 ¹ / ₄	7 ¹ / ₂
0299-J	2 ¹ / ₂ "	3 ¹ / ₂ / 4	7 ³ / ₈	3	4 ⁵ / ₁₆	1 ¹⁵ / ₁₆	3/4 NPT	2 ¹¹ / ₁₆	14
0299-K	3"	4	8	3 ¹ / ₂	4 ⁷ / ₈	2 ⁵ / ₁₆	3/4 NPT	3 ¹ / ₈	19
0299-M	4"	6	9 ⁵ / ₈	4 ¹ / ₂	5 ³ / ₄	2 ⁷ / ₈	3/4 NPT	3 ³ / ₄	36
0299-P	6"	8	12 ³ / ₄	6 ⁵ / ₈	7 ⁷ / ₁₆	4 ³ / ₁₆	3/4 NPT	8	98
0299-Q	8"	10	16 ¹ / ₂	7 ¹ / ₂	9 ⁹ / ₁₆	5 ³ / ₈	1 NPT	10 ³ / ₄	180

NOTE

Dimensions are for reference only.

1. Safety valve outlet and drip pan elbow size.